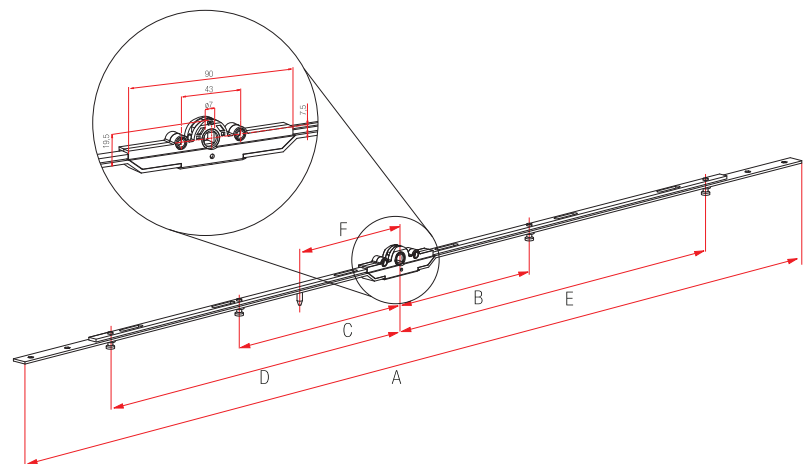
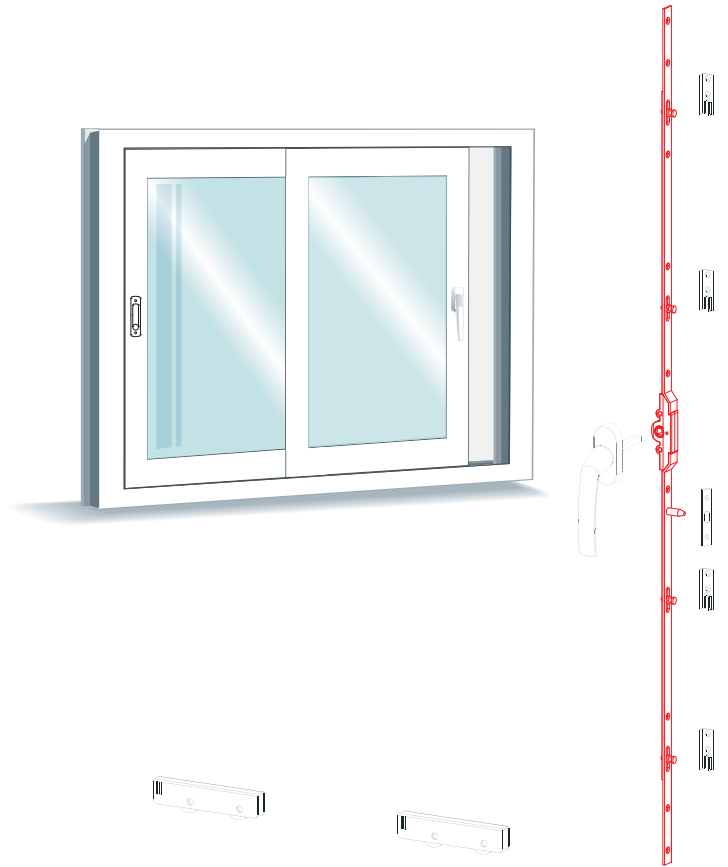


**Simple Sliding
7,5mm Espagnolette**

Hardware Technical Details

Usage Range	:	Min: 210mm - Max: 2100mm
Axis	:	7,5mm
Handle Pl.	:	Centred Handle
Body Type	:	Zamac
Security Level	:	w/Sliding Pin



Order Details

Code	Description	Amount	Kg
110.060.307.200	600/7,5mm Simple Sliding Espagnolette	50	15.75
110.080.307.200	800/7,5mm Simple Sliding Espagnolette	50	20.30
110.100.307.200	1000/7,5mm Simple Sliding Espagnolette	50	24.60
110.120.307.200	1200/7,5mm Simple Sliding Espagnolette	50	29.30
110.140.307.200	1400/7,5mm Simple Sliding Espagnolette	25	17.65
110.160.307.200	1600/7,5mm Simple Sliding Espagnolette	25	20.15
110.180.307.200	1800/7,5mm Simple Sliding Espagnolette	25	22.40
110.200.307.200	2000/7,5mm Simple Sliding Espagnolette	25	24.65

Technical Details

KA	A	B	C	D	E	F		
600-800	600	-	-	175	175	106,5	8	2
800-1000	800	-	-	275	275	106,5	8	2
1000-1200	1000	94	-	375	375	131,5	10	3
1200-1400	1200	94	-	475	475	166	10	3
1400-1600	1400	266	266	575	575	166	10	3
1600-1800	1600	300	300	675	675	200	10	3
1800-2000	1800	300	300	775	775	200	12	4
2000-2100	2000	300	300	875	875	200	12	4

Note: Technical detail sizes are millimetric.