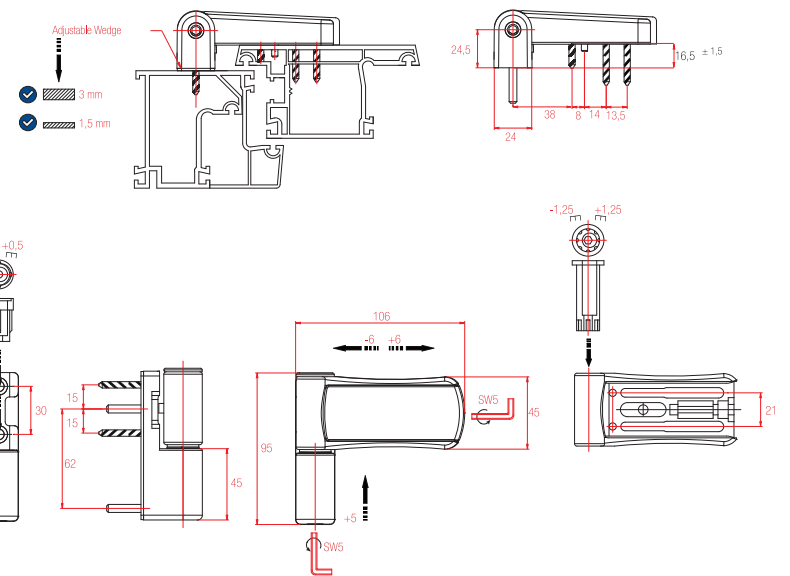
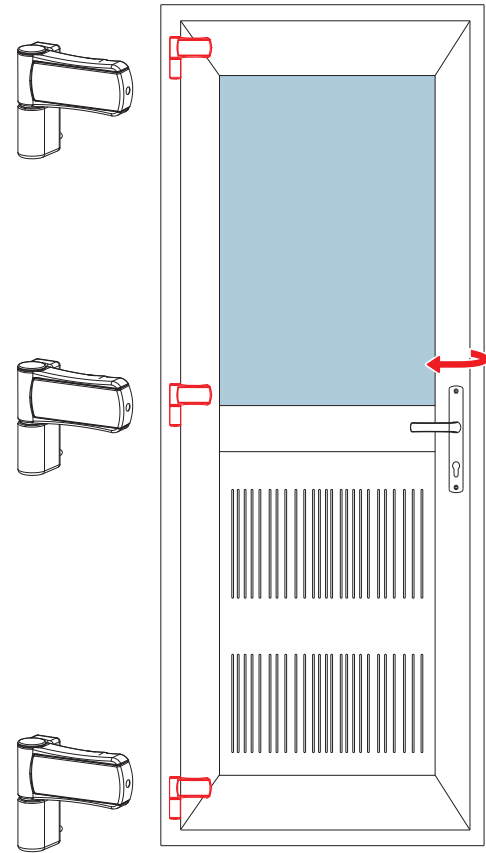
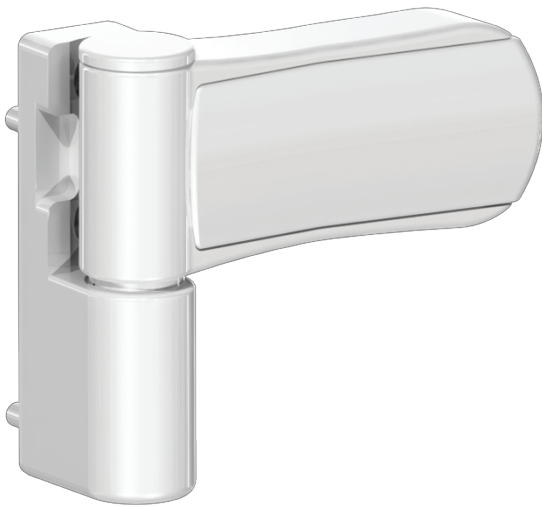


**Hinge Hardware**  
**125 Kg 3D Adjustable Hinge**

**Hardware Technical Details**

TK.kg <sup>max</sup> - Carrying Capacity	: max. 125 kg
GT - Body Type	: Zamac Gearbox
YK - Surface Coating	: Electrostatic Powder Paint
Pins	: Stainless Pin Option
Adjust Option	: 3D Adjust Mechanism

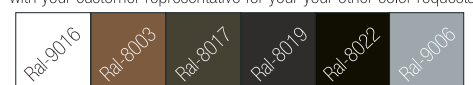


**Order Details**

Code	Description	Amount	Kg
130.125.018.000	w/Standard Pin	24	16.43
130.125.019.000	w/Stainless Pin	24	16.43

**Color Options**

- Standard color options are as below. Please have contact with your customer representative for your other color requests.



Note: Technical detail sizes are in mm.