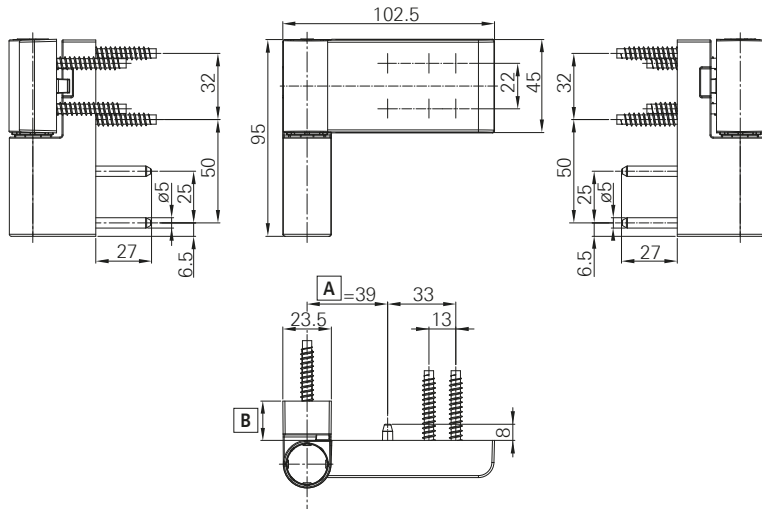
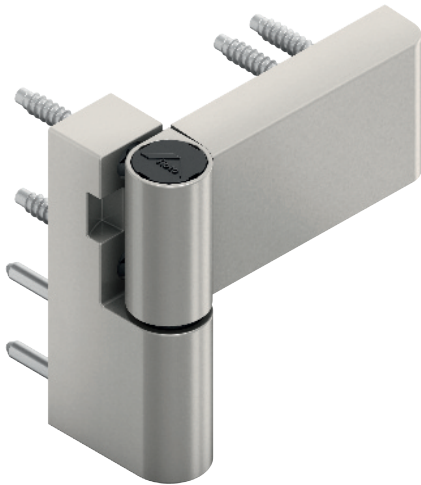


## 4.4 150 P



[A] Presetting

[B] Overlap height



### Product description

The Roto Solid S | 150 P two-part screw-on hinge is suitable for timber and PVC entrance doors up to a sash weight of 110 kg.

Roto Solid S screw-on hinges offer solutions in various different performance categories and design lines.

A wide range of powder-coated surfaces enables an individual colour design – for door hinges which seamlessly blend into the overall appearance of the door.

Large adjustment distances enable custom adaptations on the hinge side that contribute towards the functionality and durability of the door as a whole.



### Advantages at a glance

- For timber and PVC entrance doors up to 110 kg
- With proven anti-lifting device to prevent unauthorised unhinging and jemmying
- Overlapping overlap height intervals for greater flexibility
- With additional gasket compression adjustment

### Adjustment range

- Laterally adjustable:  $\pm 5$  mm
- Height adjustable:  $+5 / -1$  mm
- Gasket compression adjustable:  $\pm 1$  mm
- Additional gasket compression adjustment of  $\pm 0.75$  mm by turning the eccentric frame hinge bush